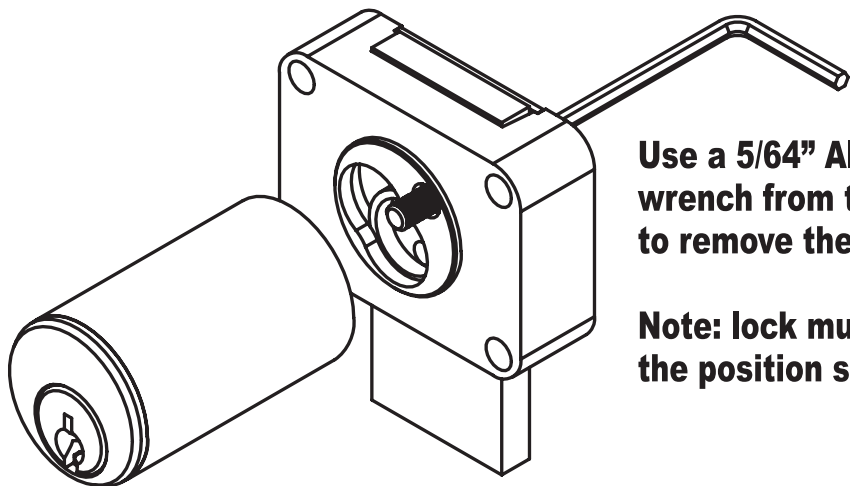
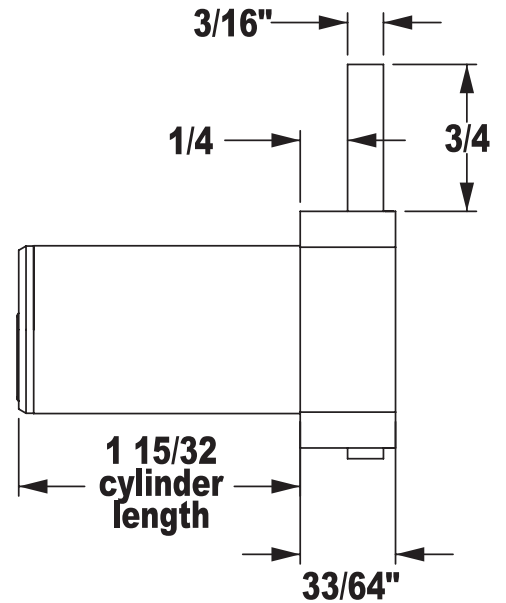
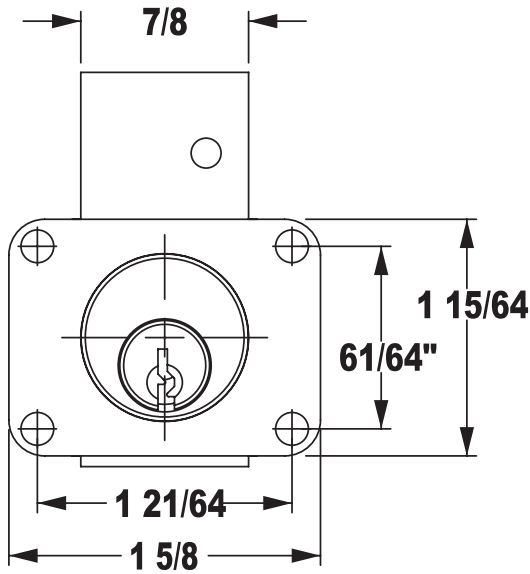


## C8179 DRAWER LOCK

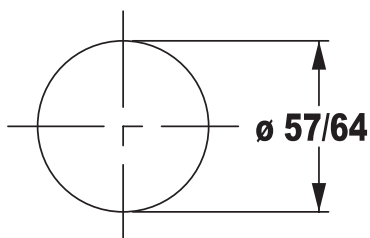
- 4 pin tumbler
- brass cylinder



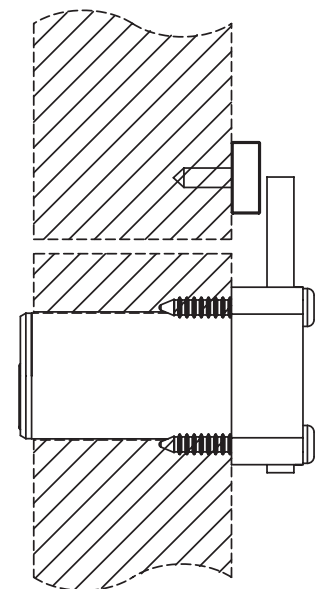
Use a  $5/64$ " Allen wrench from the back to remove the cylinder.

Note: lock must be in the position shown.

**cylinder mounting hole**



Drill  $1/16$ " diameter pilot holes for mounting screws



Lock is shown in locked position for standard drawer applications.